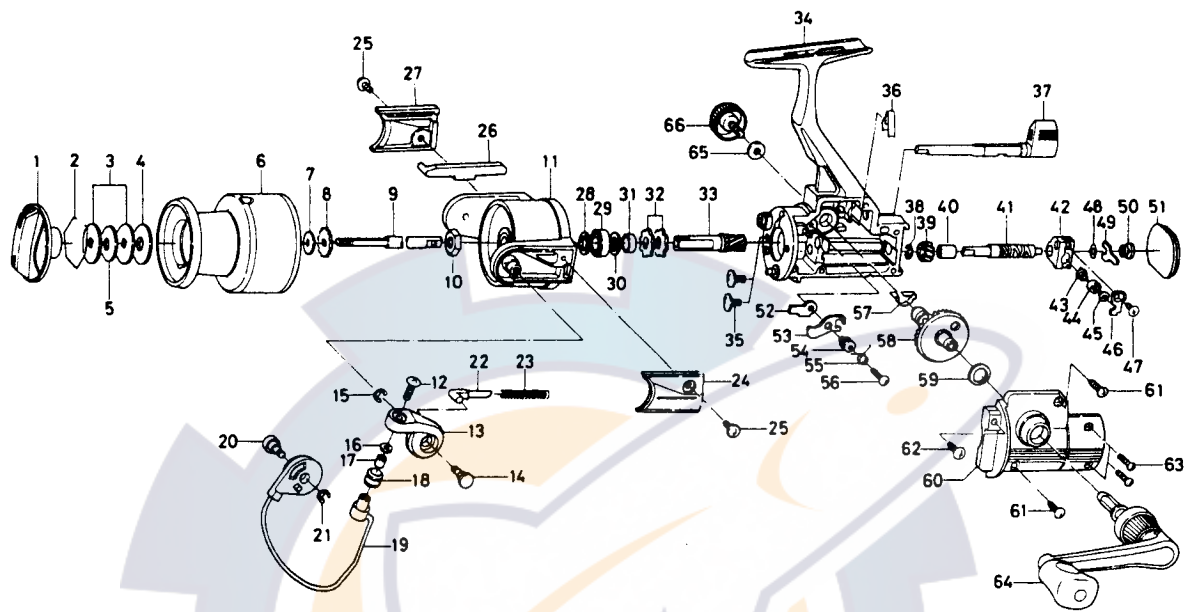


SPINNING REEL — PS700



Key No. 2-6

Key

Key No.	Part No.	Part Name	Price
	E41-5901	Spool assembly	9.00
1	E41-6301	Drag knob	1.20
2	171-7701	Drag washer retainer	.35
3	E13-6103	Key washer	.80
4	E13-6003	Drag washer	.70
5	F05-0901	Drag spring washer	.95
6	E41-6001	Spool assembly	N/A
7	E39-4001	Spool washer	.60
8	E36-5301	Click gear	.60
9	E37-2301	Main shaft	2.10
10	341-9201	Rotor nut	.55
11	E36-8103	Rotor	4.20
12	B67-9304	Line roller screw	.40
13	F01-0401	Bail arm	1.45
14	E37-1702	Bail arm screw	1.15
15	320-5901	Bail arm screw retainer	.50
16	B55-4301	Line roller washer	.40
17	B45-1501	Line roller collar	.60
18	250-3921	Line roller	.90
19	E38-8101	Bail	4.50
20	E37-1702	Bail trip cam screw	1.15
21	320-5901	Bail trip cam screw retainer	.50
22	E36-8201	Bail spring shaft	.70
23	E41-7701	Bail spring	.70
24	E36-8303	Bail spring cover	1.15
25	E36-4201	Bail spring cover screw	.70
26	E36-8402	Bail trip lever	1.15
27	E36-8503	Bail trip cover	1.15
28	375-8503	Bearing washer A	.60
29	634-1301	Ball bearing	6.95
30	375-8503	Bearing washer B	.60
31	E29-6101	Spacing sleeve	.70
32	E27-1501	Anti-reverse ratchet	.75
33	E42-0001	Pinion gear	4.75

Key

Key No.	Part No.	Part Name	Price
34	F05-0701	Body	7.50
35	E03-7801	Bearing retainer screw	.60
36	E26-8701	Anti-reverse cam spring	.55
37	E36-3207	Anti-reverse lever	1.30
38	B33-9801	Worm shaft gear retainer	.35
39	E41-5801	Worm shaft gear	1.60
40	E29-6501	Worm shaft bush	.80
41	E41-9901	Worm shaft	6.50
42	F01-1003	Oscillating slider	3.70
43	E12-2403	Oscillating pawl	4.95
44	E12-4601	Oscillating pawl bush	2.10
45	375-0800	Oscillating pawl washer	.40
46	E11-6801	Oscillating slider cover	.80
47	E15-0203	Oscillating slider cover screw	.70
48	B53-6101	Worm shaft washer	.35
49	E29-6701	Worm shaft retainer	.80
50	E29-6601	Worm shaft collar	2.35
51	F01-9807	Rear cover	2.60
52	B95-9301	Anti-reverse pawl plate	.70
53	E27-1301	Anti-reverse pawl	1.15
54	B95-9501	Anti-reverse pawl collar	.95
55	B95-9602	Anti-reverse pawl spring A	.60
56	B00-8601	Anti-reverse pawl screw	.35
57	E29-6902	Anti-reverse pawl spring B	1.40
58	E42-0101	Drive gear	3.90
59	375-8502	Drive gear washer	.35
60	F02-0002	Side cover	3.40
61	E15-8601	Side cover screw A	.60
62	E13-0501	Side cover screw B	.60
63	E11-9601	Side cover screw C	.70
64	E41-7902	Handle assembly	6.50
65	F02-0201	Handle lock washer	.35
66	F03-5601	Handle lock screw	1.65